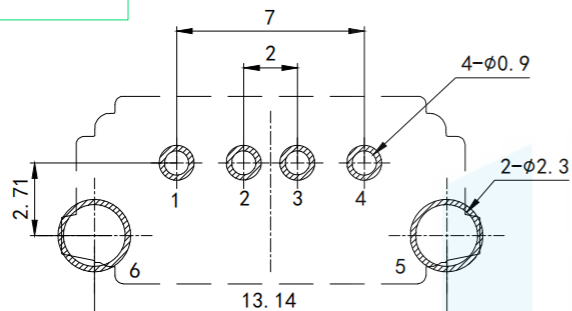
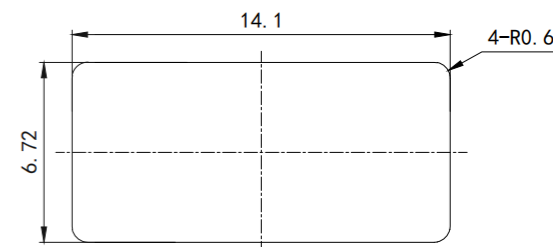
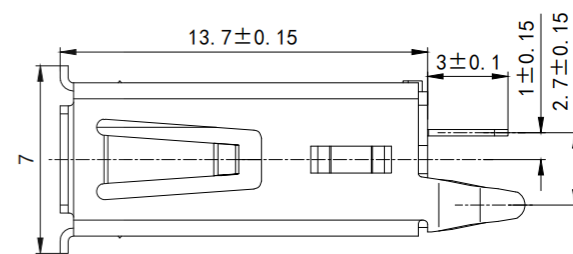
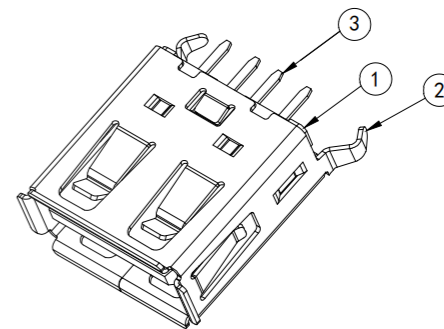
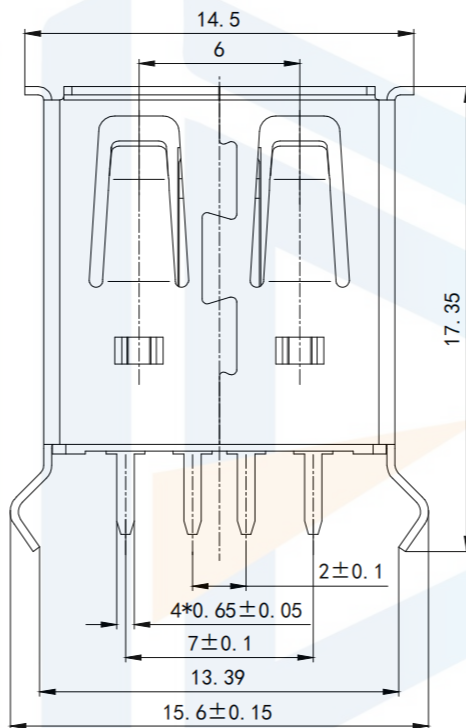
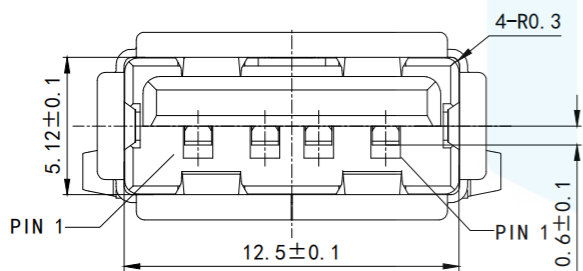


RoHS2.0
Compliant



RECOMMENDED PCB LAYOUT (TOP VIEW)
GENERAL TOLERANCE: $\pm 0.05\text{mm}$ ($T+1.6 \pm 0.05$)



RECOMMENDED PANEL CUTOUT
GENERAL TOLERANCE: $\pm 0.1\text{mm}$

Note:

1. Electrical performance:

Rated current :1.5A

Rated voltage: 250V AC

Insulation impedance:

Uninserted :1000Mohm Min:AT 500V DC

Voltage :500V AC1minute

Contact impedance :30m ohm Max.

2. Mechanical properties:

Insertion force :.35N Max.

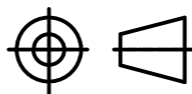
Extraction force: initial 10N Min., 7N Min after durability test

Endurance test :1500 CYCLES

TOLERANCE

X. XXX	± 0.05
X. XX	± 0.15
X. X	± 0.20
X.	± 0.30
ANGLE	$\pm 5.0^\circ$

PROTECTON



东莞市恒祺电子科技有限公司

Dongguan Hengqi Electronic Technology Co., Ltd

<https://www.hq-dz.com>

phone:15812872448

TITLE:

USB A/F立式插板卷边
2定位脚脚L=13.7

PART NO:USB2.0-A167

DRAWING NO:14.5*13.7*7.0

DRAWN:

CHECKED:

APPROVED:

DATE:

DATE:

DATE:

18-10-08

18-10-08

18-10-08

UNIT:
mm

SCALE:
FULL

SIZE:
A4